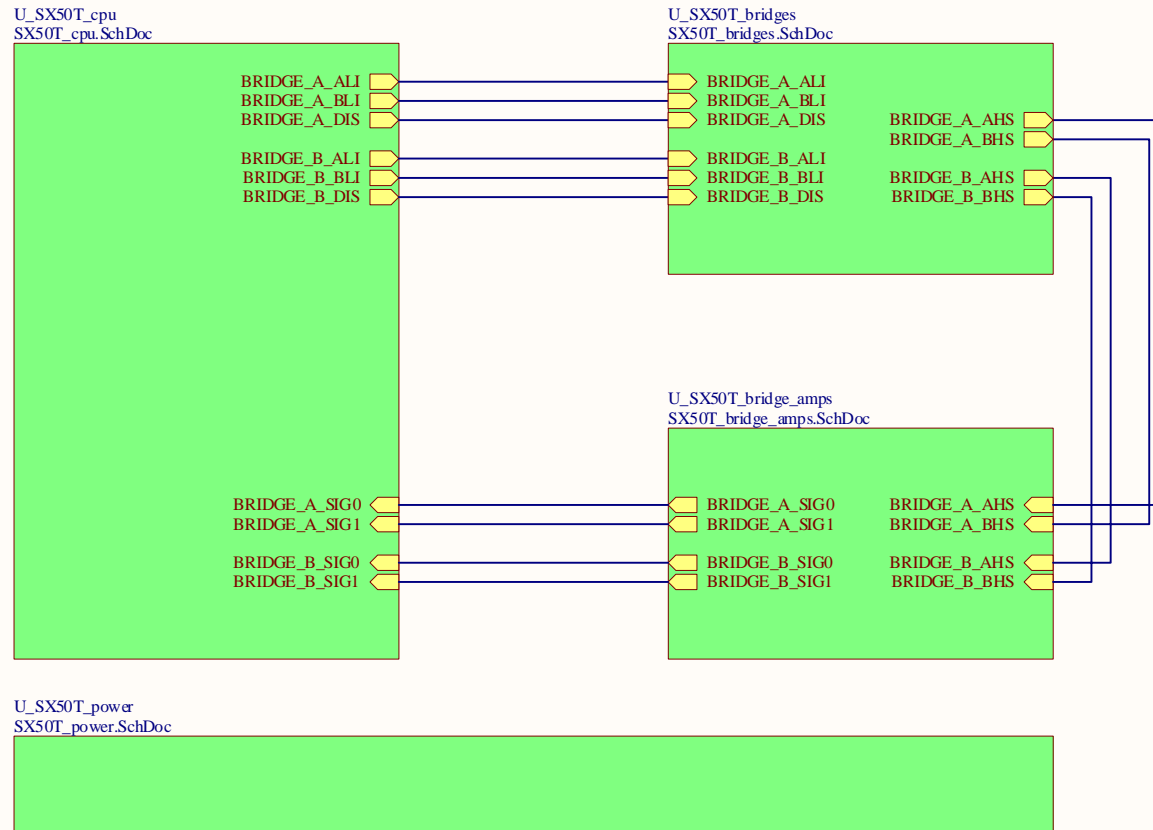
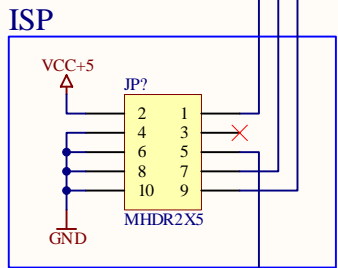
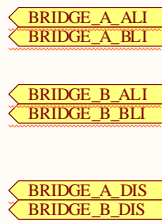
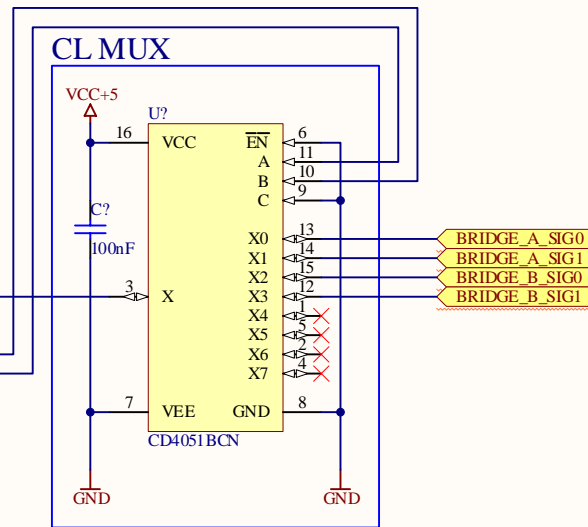
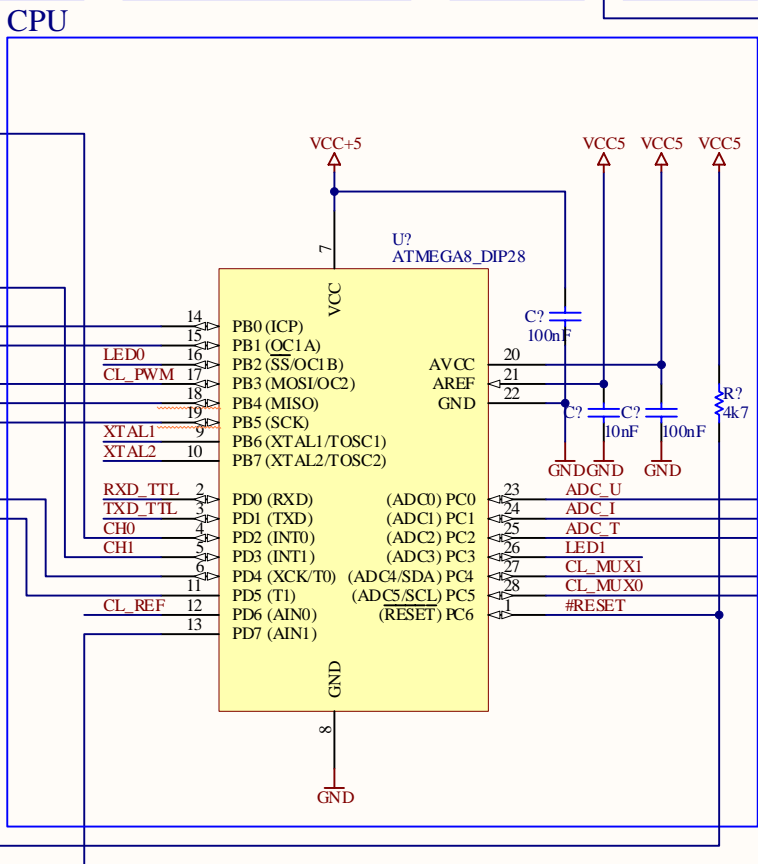
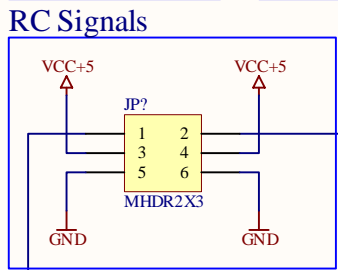
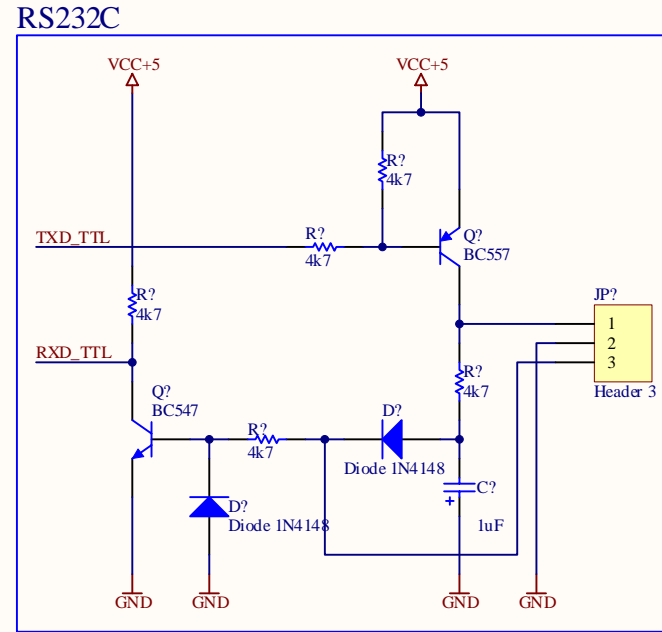
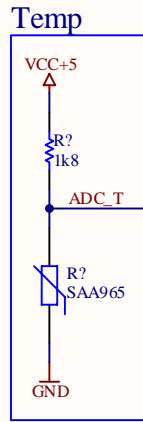
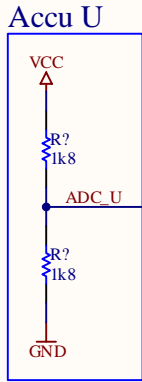
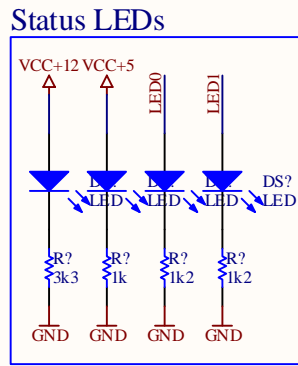
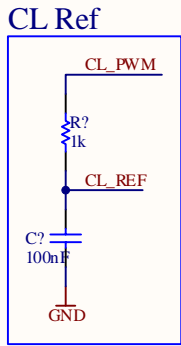
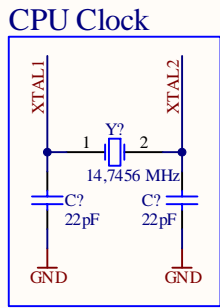


*** (G)i(z)(Z)illa (S)(X)(50)(t) *** (C) 2005 Gizmo ***

*** rev 0.9 ***



Title		
Size	Number	Revision
A4		
Date:	28.12.2005	Sheet of
File:	F:\Eigene Dateien\...\SX50T_main.SchDoc	Drawn By:

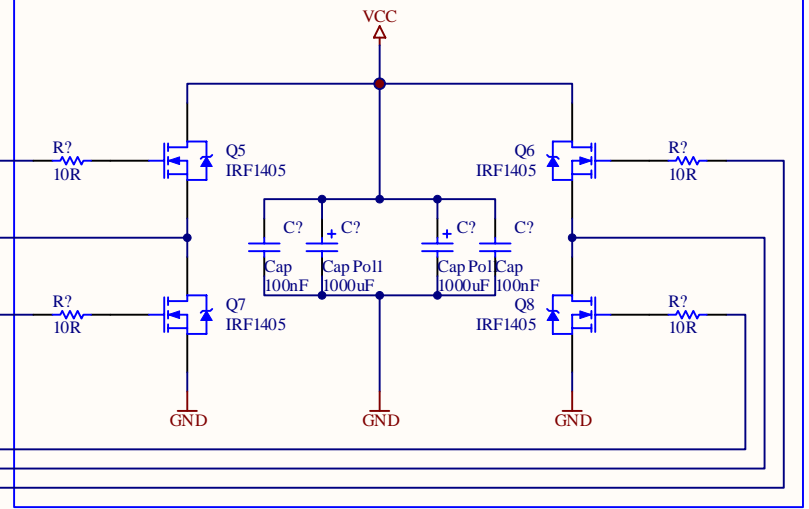
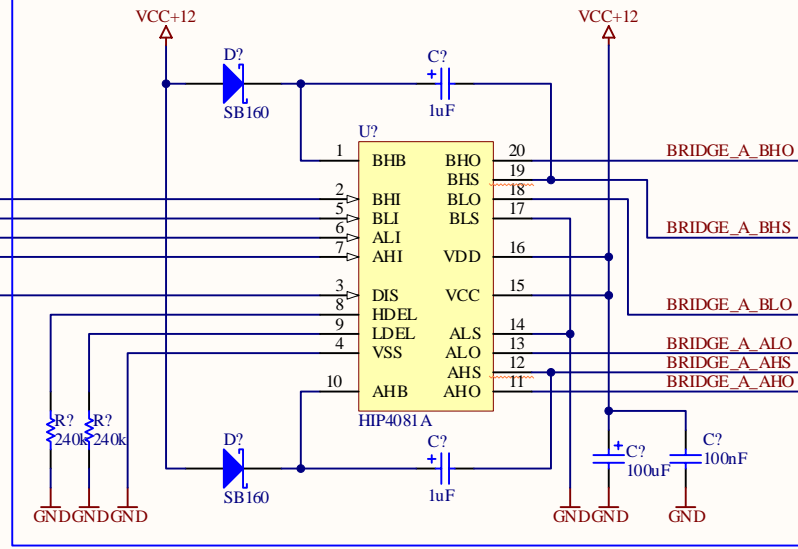
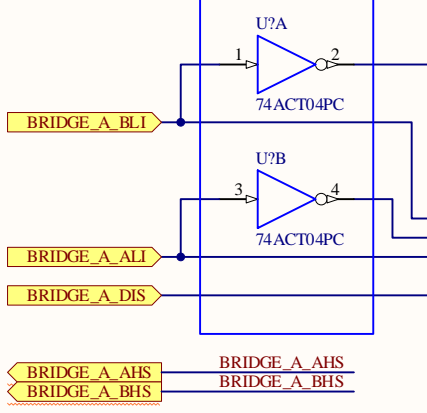


Title		
Size	Number	Revision
A4		
Date:	28.12.2005	Sheet of
File:	F:\Eigene Dateien\...\SX50T_cpu.SchDoc	Drawn By:

Bridge Logic A

Bridge Driver A

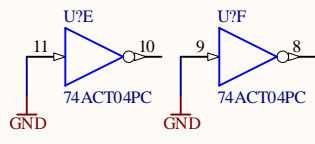
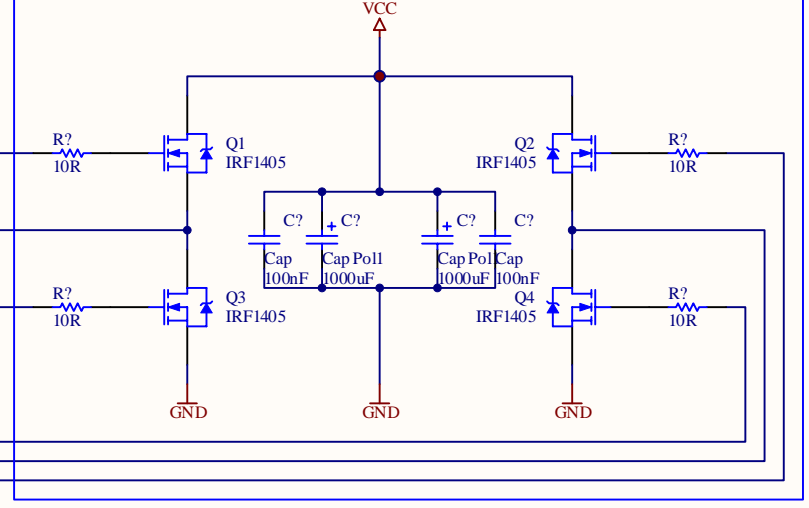
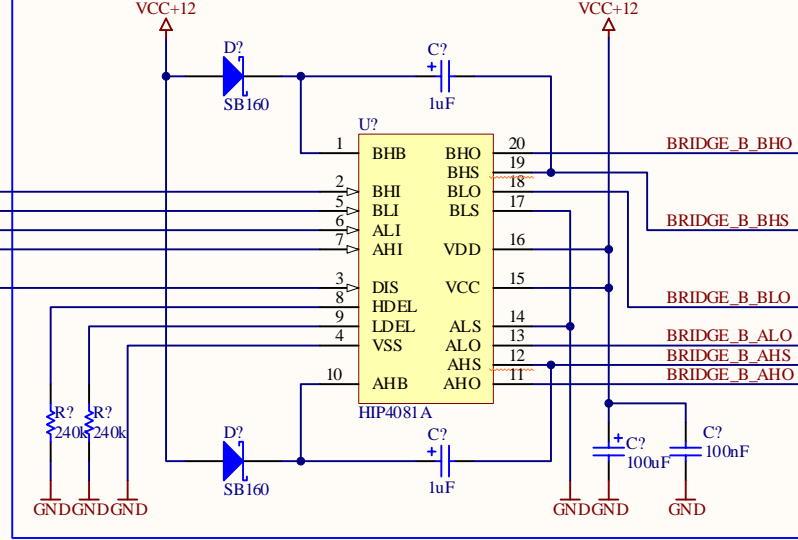
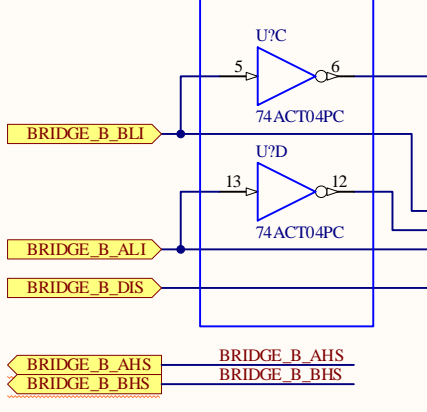
Bridge A



Bridge Logic B

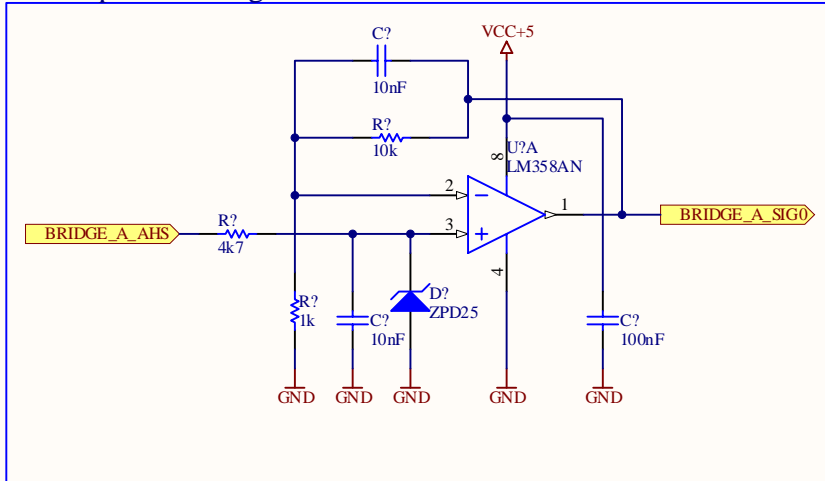
Bridge Driver B

Bridge B

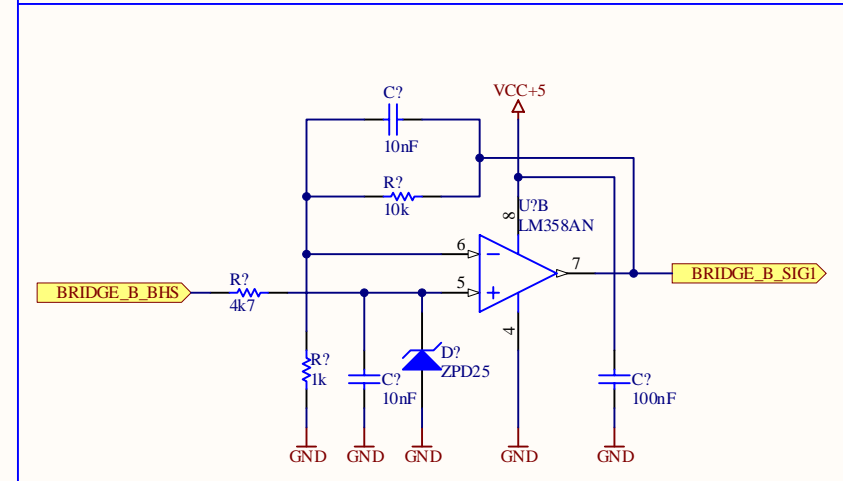
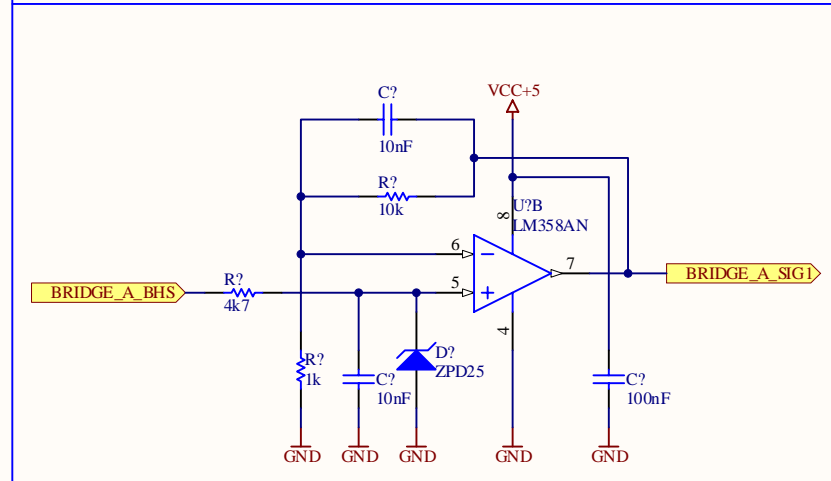
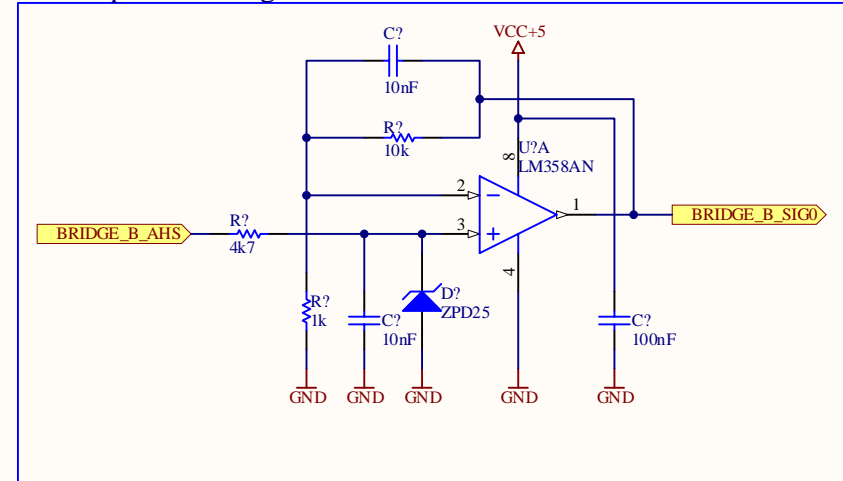


Title		
Size	Number	Revision
A4		
Date:	28.12.2005	Sheet of
File:	F:\Eigene Dateien\...\SX50T_bridges.SchDoc	Drawn By:

CL Amplifiers Bridge A



CL Amplifiers Bridge B



Title		
Size	Number	Revision
A4		
Date:	28.12.2005	Sheet of
File:	F:\Eigene Dateien\...\SX50T_bridge_amps	Sheet No. By:

